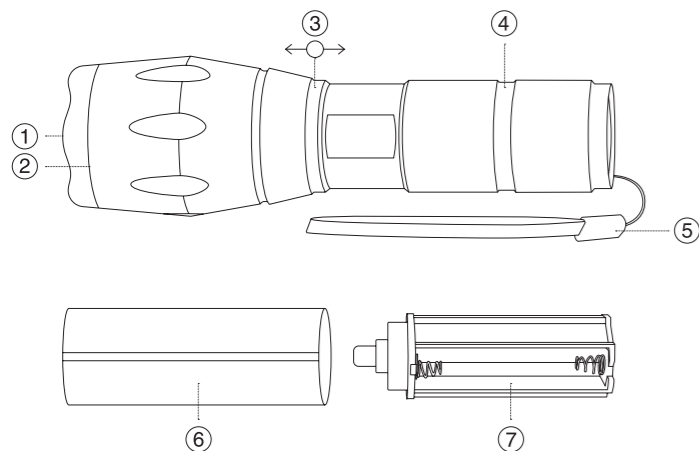


TACTICAL FLASHLIGHT



1. Beveled Head
2. LED Flashlight Bulb
3. Adjustable Focus Slider
4. Battery Compartment
5. Wrist Strap
6. Rechargeable Lithium Ion 18650 Cell Holder
7. 3 x AAA Battery Holder

This manual will help you optimize your experience and get you started. Read the following instructions carefully before using your device.

IMPORTANT SAFETY INFORMATION

WARNING: THIS IS NOT A TOY. BEVELED EDGE MAY BE SHARP. KEEP AWAY FROM CHILDREN.

IMPORTANT INSTRUCTIONS BEFORE USE:

1. Your flashlight is splash-proof, but do not submerge the flashlight in water.
2. The bright LED can be used to temporarily blind an attacker, but do not use to purposely shine into the eyes – this may cause permanent damage.
3. Avoid pointing flashlight at flying aircraft.

GETTING STARTED

Inserting Batteries:

1. You have 2 battery options – 3 x AAA Batteries or 1 x 18650 Lithium Ion Cell.
2. Choose the one you prefer and insert batteries into the appropriate holder.

3. Unscrew the bottom of the flashlight to reveal the battery compartment.
4. Insert battery holders and screw back on the bottom of flashlight.

NOTE: When using an 18650 Lithium Ion battery, your LED flashlight may appear brighter than when using AAA batteries.

Switching Modes:

Press the power button to cycle through the following modes:

1. High
2. Medium
3. Low
4. Strobe
5. SOS

Adjusting the Light Focus:

Simply extend the focus slider to focus the LED beam.

Using the Beveled Head:

In case of entrapment in a vehicle, create a firm fist around the flashlight and strike the window to break free.

Technical Specifications:

Working Voltage	2.4 - 2.6A
Working Current	3.7 - 4.2V
LED Source	10W CREE XML T6 LED Bulb
Zoom Focus	1x - 2000x
Battery Required	3 x AAA or 1 x 18650 Li-Ion
Lumens	700
Water Resistance	IP X4
Body Material	Aluminum
Surface Disposing	Hard Anodized Oxidation
Function	High – Med – Low – Strobe – SOS
Weight	150g
Product Size	40 x 137mm